



SLOWSTOP® BOLLARD

INSTALLATION AND ASSEMBLY INSTRUCTIONS



Materials

- 1—Base
- 1—Elastomer
- 1—Adapter with Set-Screws
- 1—Tube
- 1—Cap
- 4/8—Screw Anchors (Type 1&2/Type 3)

Tools Required

- Hammer Drill
- 5/8" Drill Bit
- Impact Wrench
- 15/16" Impact Socket
- Vacuum or Compressed Air with nozzle
- 6mm / 8mm Allen Wrench (Type 1/Type 2&3)
- Mallet

Notes

1. Assembly and installation should be performed by qualified personnel only.
2. Installation to be performed in unbroken concrete only.
3. Bollards must be properly sized for expected loads and speeds. Consult www.slowstop.com.
4. Study Figure 1 to understand the arrangement of all parts.

Installation and Assembly

1. Layout and mark final location using the base as a guide. Remove base. Note: Keep the bollard 0.32 x height away from any solid object to allow for tilting.
2. Place the elastomer in the center of the location and place adapter on top of elastomer.
3. Fit base over the adapter so that it rests on the adapter flange and covers the elastomer.
4. Again using the base as a guide, drill four or eight (as required) 5/8" holes deep enough to completely sink the anchor. Clean out the holes from concrete dust.
5. Tighten the concrete screw Anchors in a star pattern, compressing the elastomer and making the base flush to the concrete. Anchor head must be tightened flush to base.
6. Insert the tube into the adapter and firmly tighten all set-screws to hold it in place.
7. Place the cap in the top of the tube and gently pound it in place using a mallet.
8. When complete, the assembly should appear like Figure 2.

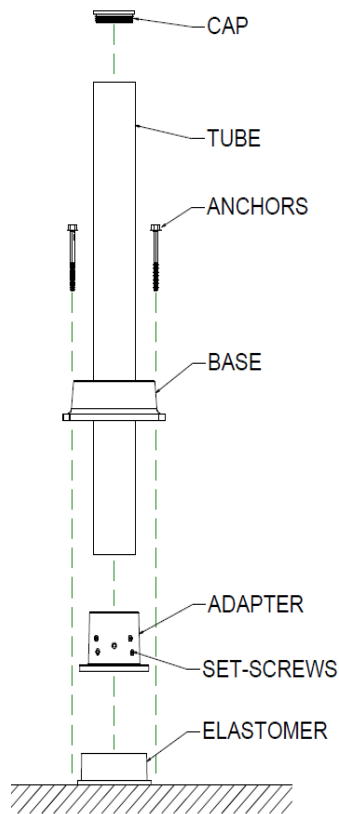


Figure 1

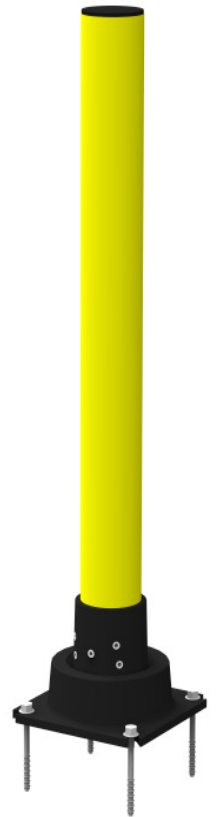


Figure 2

Tip: If you wish to fill the bollard with concrete, place the cap on the bottom of the pipe before filling.